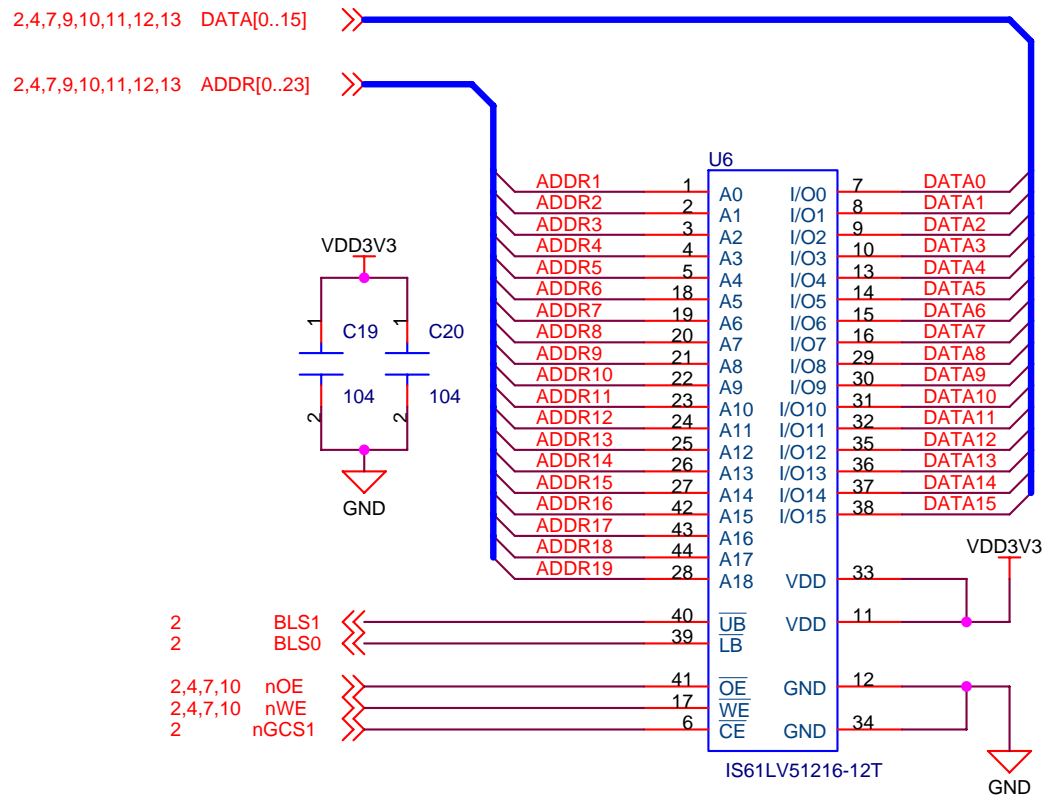


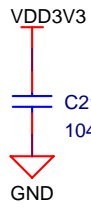
| | | | |
|----------------------|----------------------------|-------|---------|
| Title | | | |
| YL_LPC229X_SCH_BLOCK | | | |
| Size | Document Number | Rev | |
| A4 | | 1.0 | |
| Date: | Friday, September 02, 2005 | Sheet | 1 of 14 |



| | | |
|-------------|------------------------------------|-------------------|
| Title | | |
| SRAM | | |
| Size A | Document Number uCdragon | Rev 1.0 |
| Date: | Friday, September 02, 2005 | Sheet 3 of 14 |

2,3,7,9,10,11,12,13 DATA[0..15]

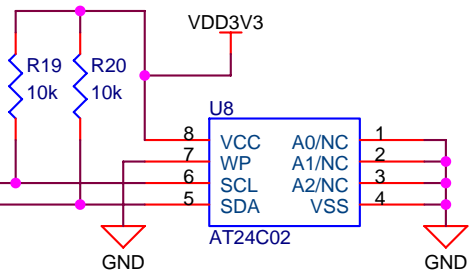
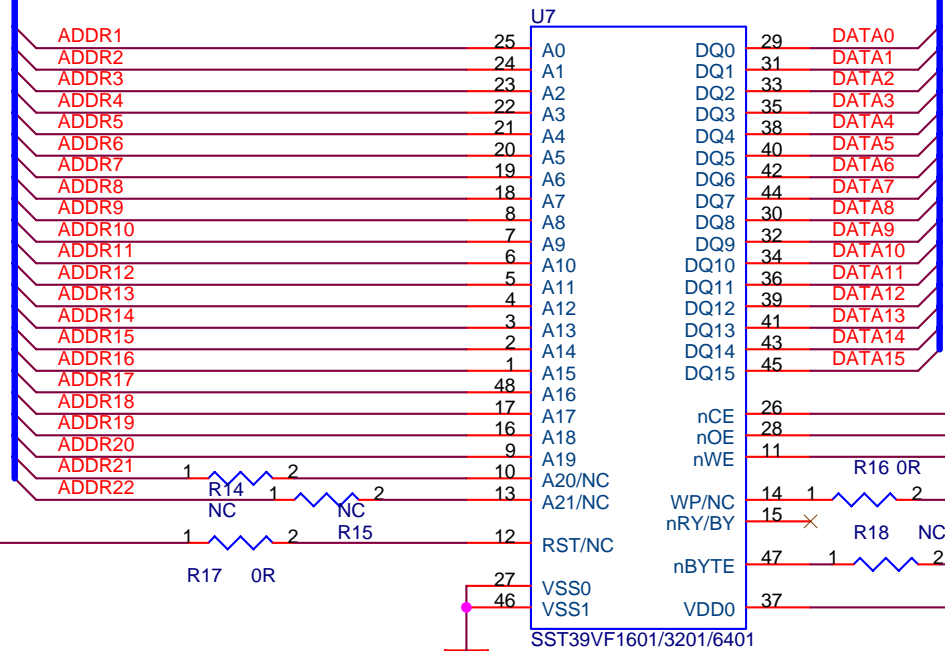
2,3,7,9,10,11,12,13 ADDR[0..23]



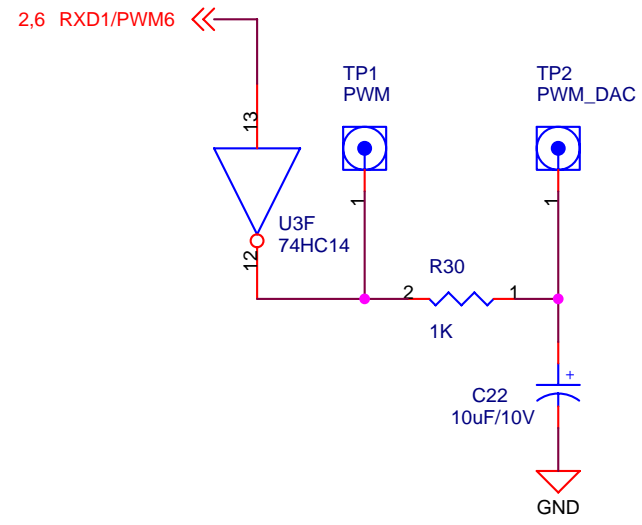
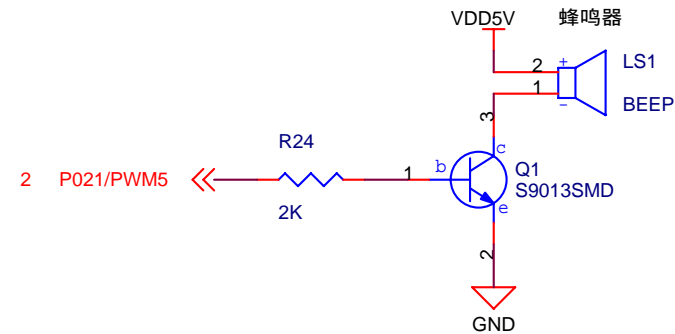
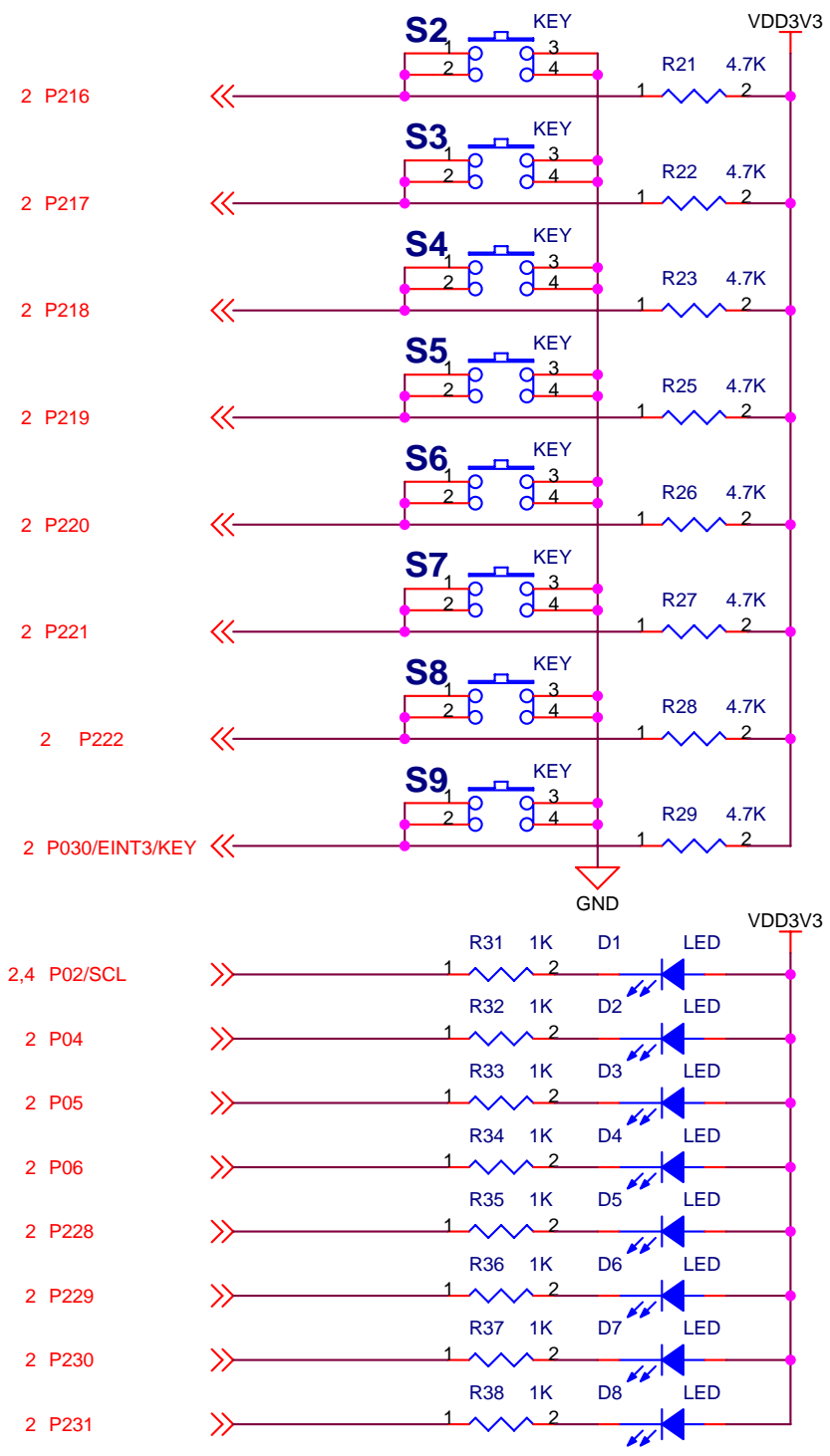
2,6,7,10 nRESET

2,3,7,10 nWE
2,3,7,10 nOE
2 nGCS0

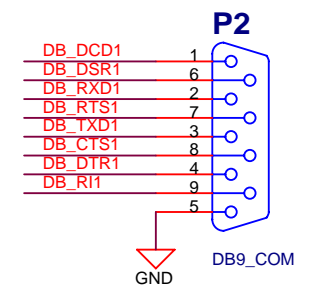
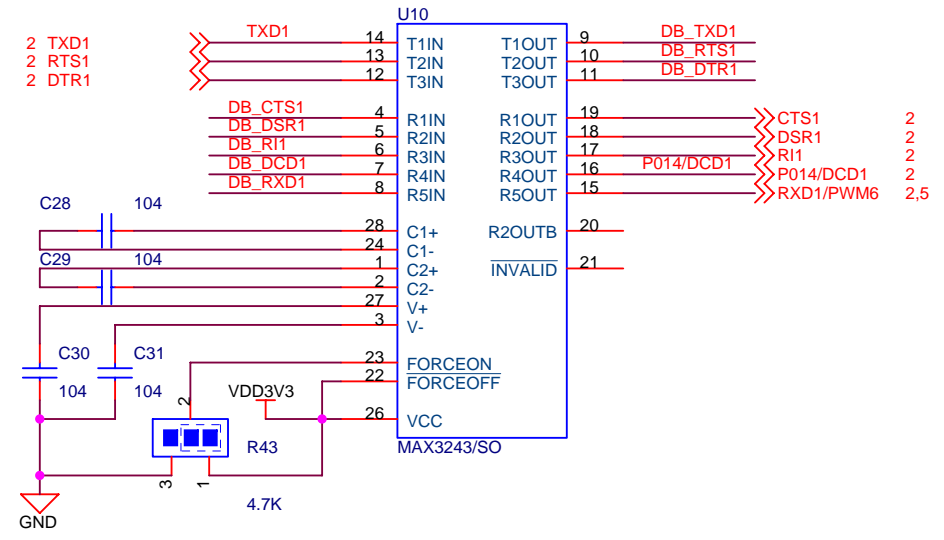
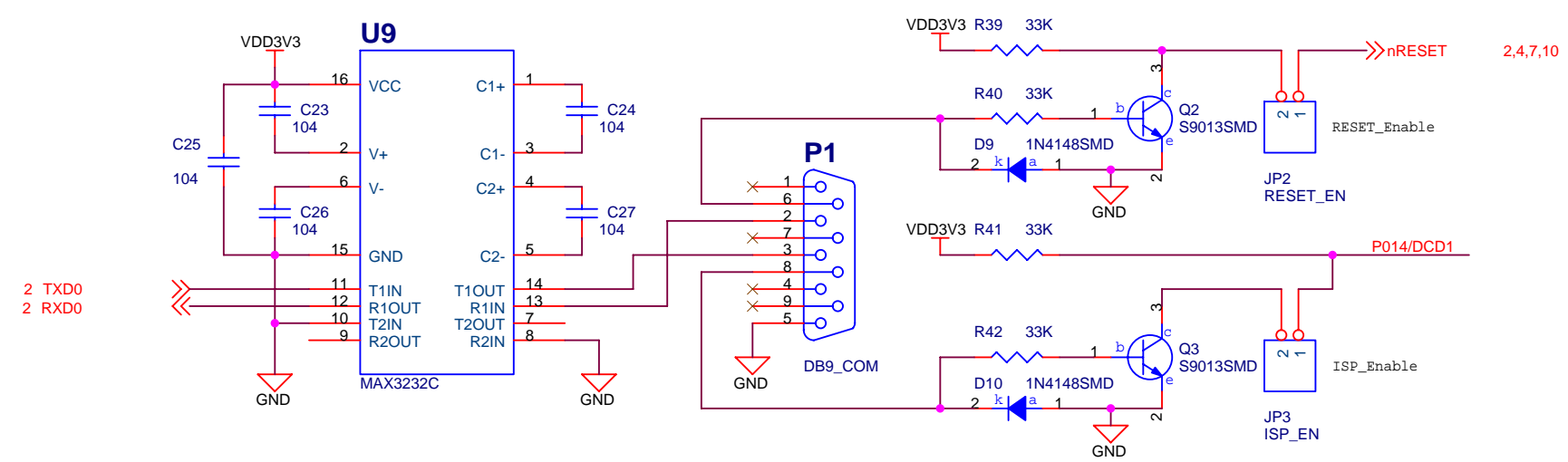
2,5 P02/SCL
2,10 P03/SDA/EINT1



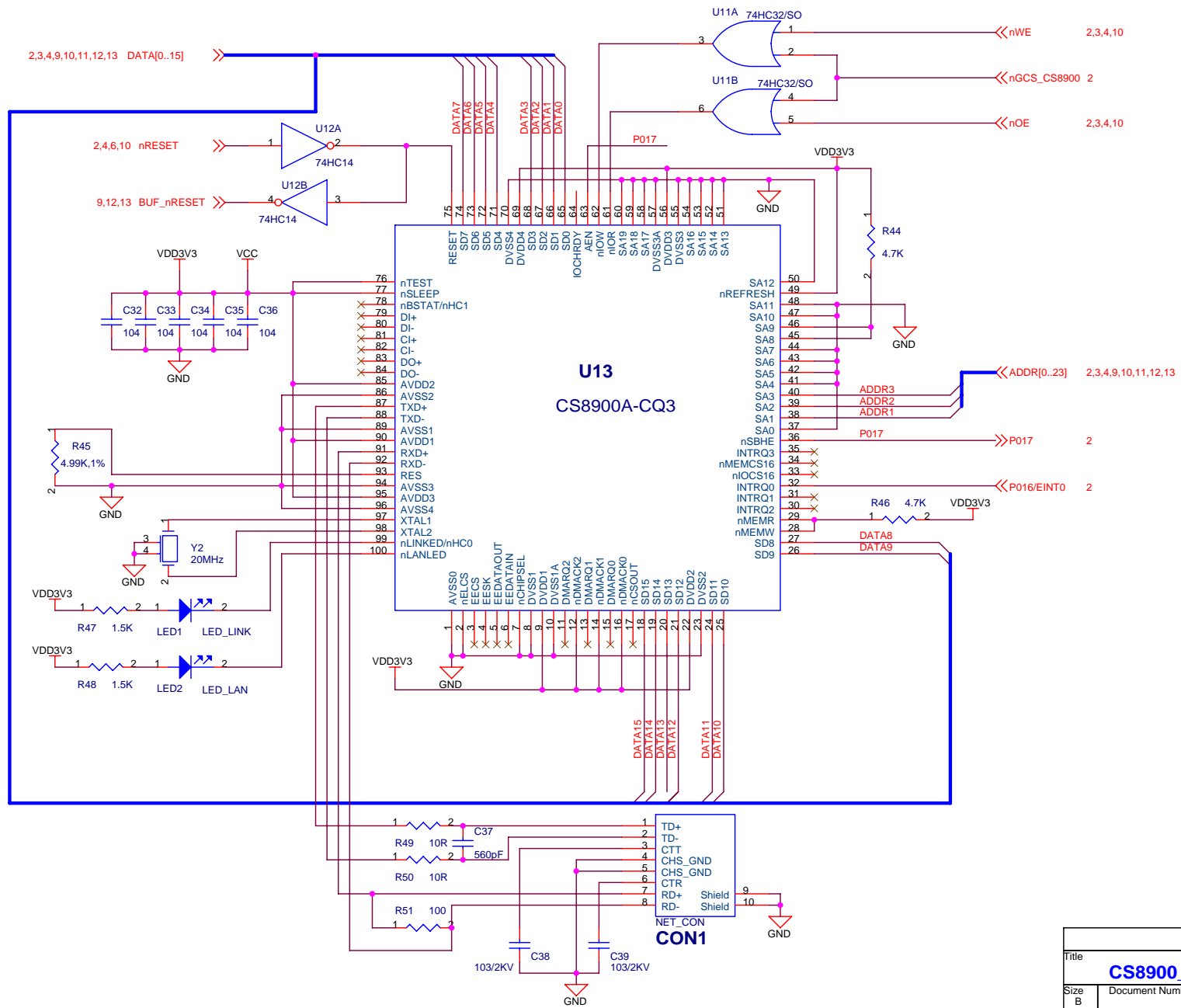
| | | |
|------------------|----------------------------|-------------------|
| Title | | |
| Nor Flash | | |
| Size A | Document Number | Rev 1.0 |
| Date: | Friday, September 02, 2005 | Sheet 4 of 14 |



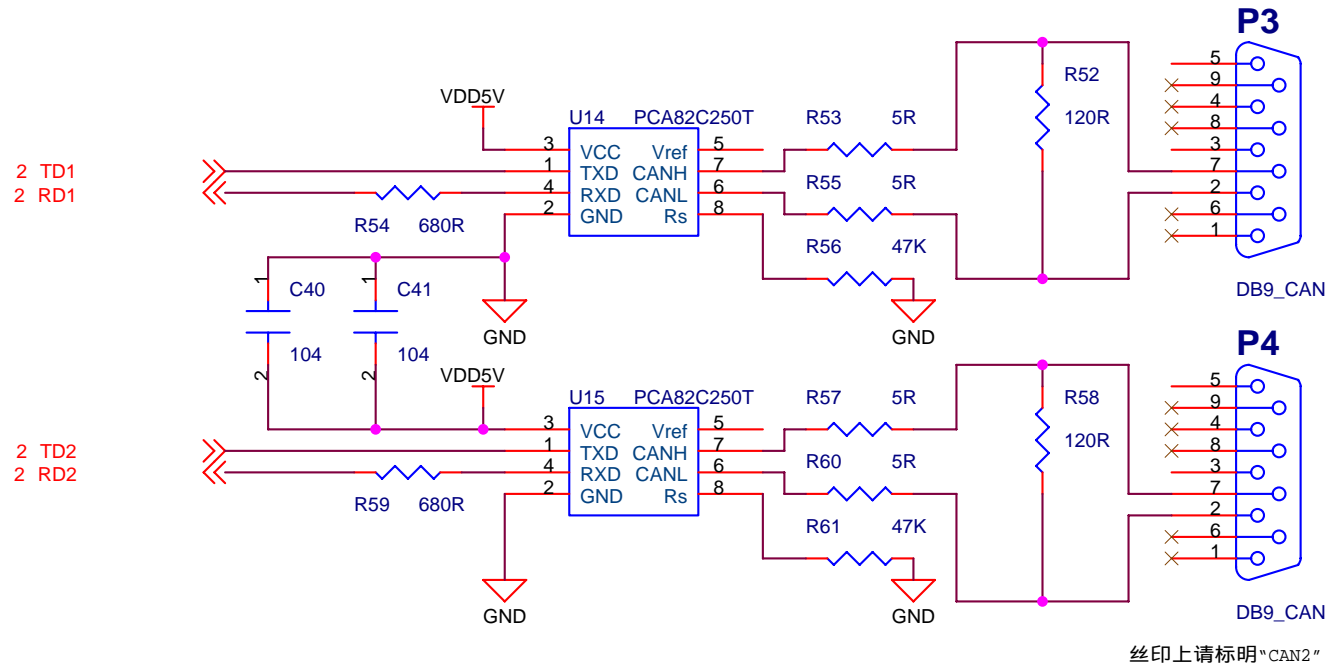
| | | |
|---|------------------------------------|-------------------|
| Title | | |
| LED, KEY, BUZZER | | |
| Size A | Document Number uCdragon | Rev 1.0 |
| Date: Friday, September 02, 2005 | Sheet 5 of 14 | |



| | | | |
|-------|----------------------------|-----------------|-------------------|
| Title | | RS232 | |
| Size | A4 | Document Number | uCdragon |
| Date: | Friday, September 02, 2005 | Sheet | 6 of 14 |
| | | | Rev 1.0 |



| | | |
|-------------------|----------------------------|---------------|
| Title | | |
| CS8900_NET | | |
| Size | Document Number | Rev |
| B | uCdragon | 1.0 |
| Date: | Friday, September 02, 2005 | Sheet 7 of 14 |



| | | |
|----------------|----------------------------|-------------------|
| Title | | |
| CAN BUS | | |
| Size A | Document Number | uCdragon |
| Date: | Friday, September 02, 2005 | Rev 1.0 |
| | Sheet 8 of 14 | |

2,3,4,7,10,11,12,13 ADDR[0..23]

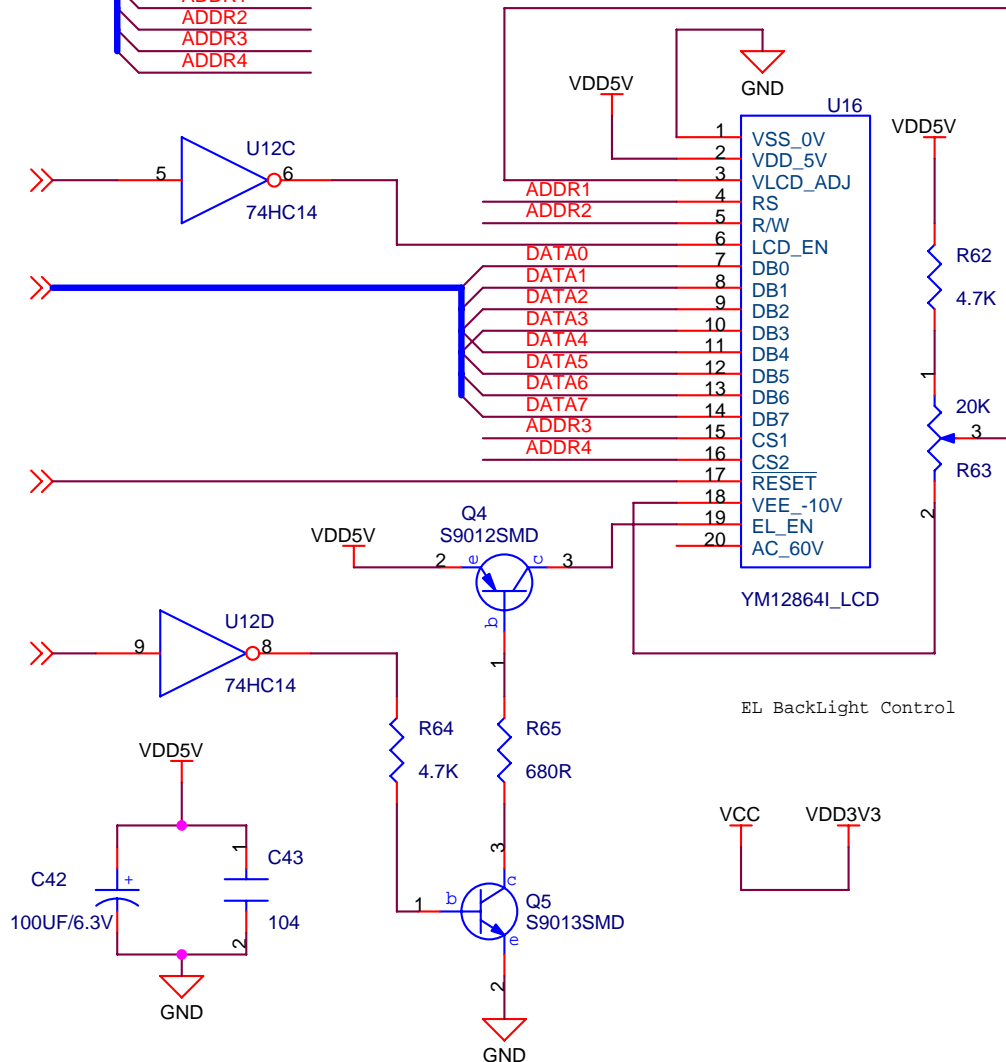
ADDR1
ADDR2
ADDR3
ADDR4

2 nGCS_LCD

2,3,4,7,10,11,12,13 DATA[0..15]

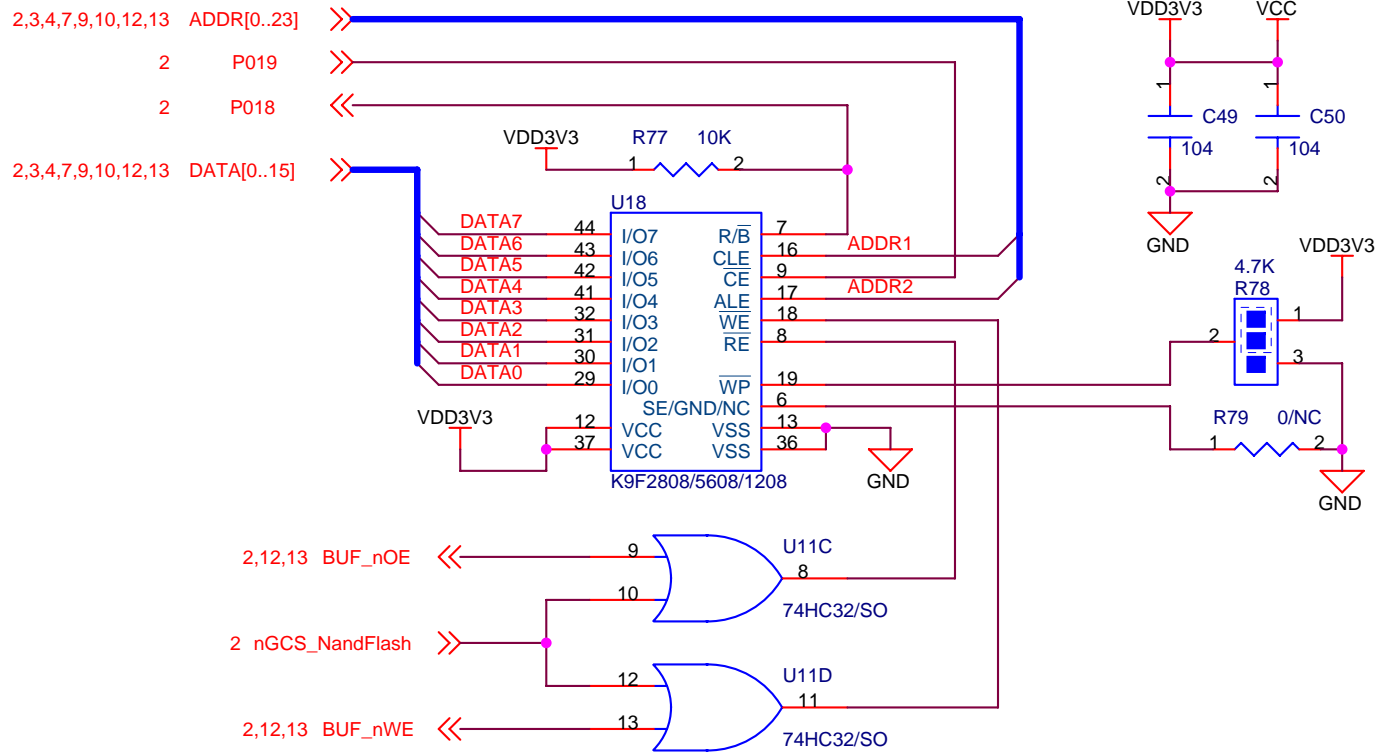
7,12,13 BUF_nRESET

2 P123



EL BackLight Control

| | | |
|------------|----------------------------|-------------------|
| Title | | |
| LCM | | |
| Size A | Document Number | Rev 1.0 |
| Date: | Friday, September 02, 2005 | Sheet 9 of 14 |

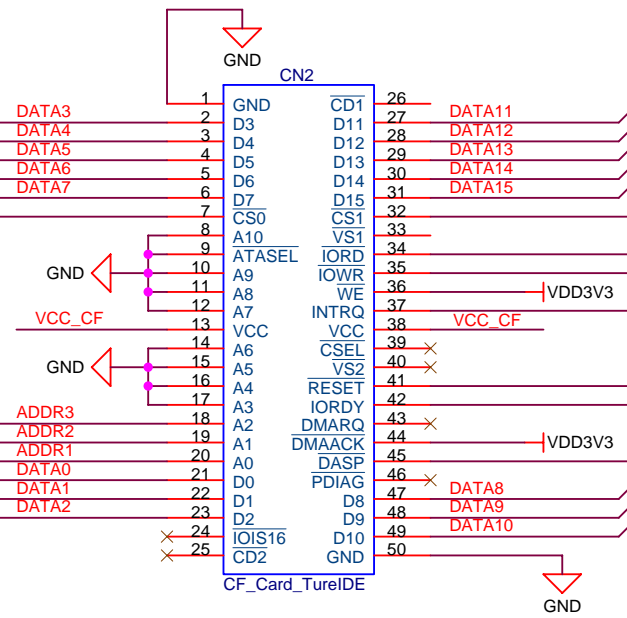


| | | |
|---|-----------------|------------------------------|
| Title | | |
| Nand Flash | | |
| Size A | Document Number | Rev 1.0 |
| Date: Friday, September 02, 2005 | | Sheet 11 of 14 |

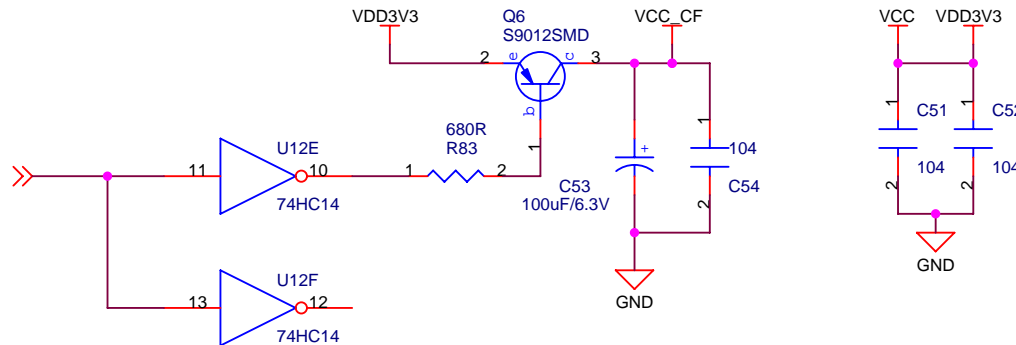
2,3,4,7,9,10,11,13 DATA[0..15]

2 CF_nCS0

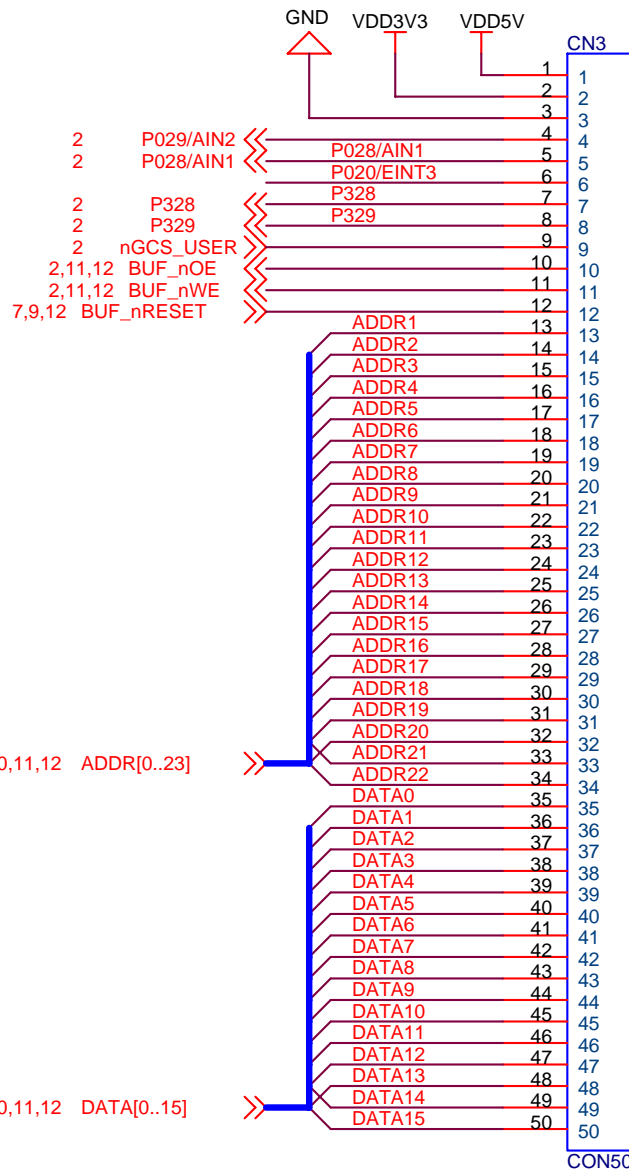
2,3,4,7,9,10,11,13 ADDR[0..23]



2 P118



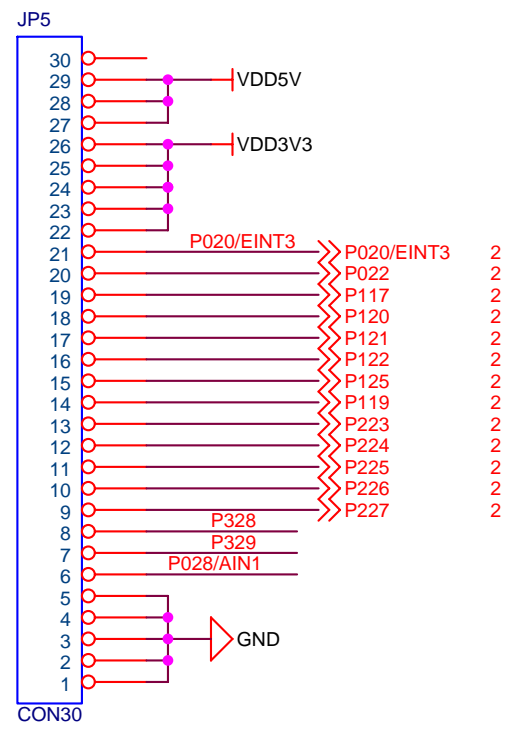
| | | | |
|---------------------------------|----------------------------|-----------------|-------------------|
| Title | | | |
| CF Card(True IDE MODE) | | | |
| Size | Document Number | uCdragon | |
| A4 | | | |
| Date: | Friday, September 02, 2005 | Sheet | 12 of 14 |
| | | | Rev 1.0 |



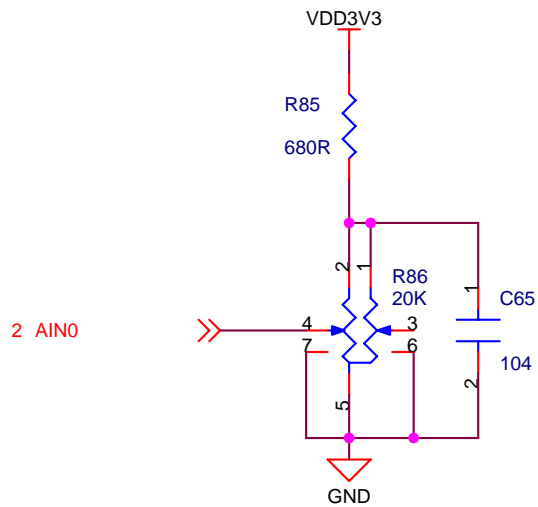
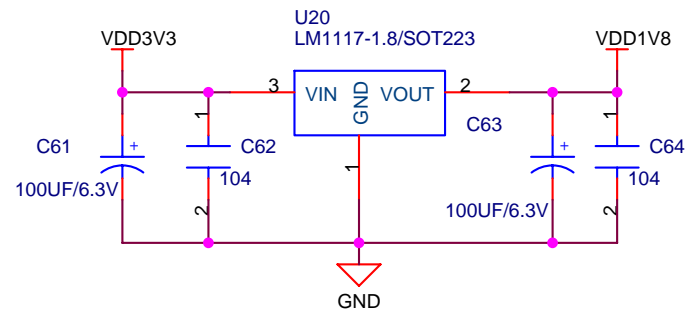
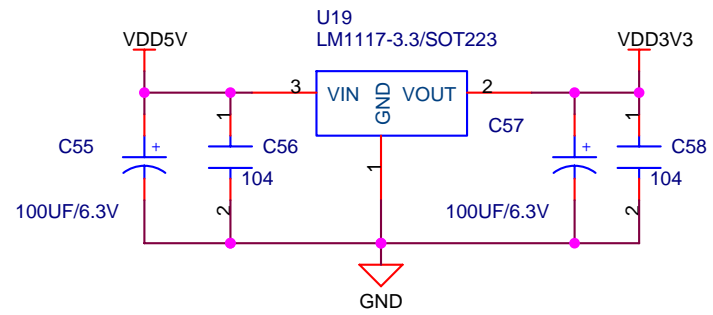
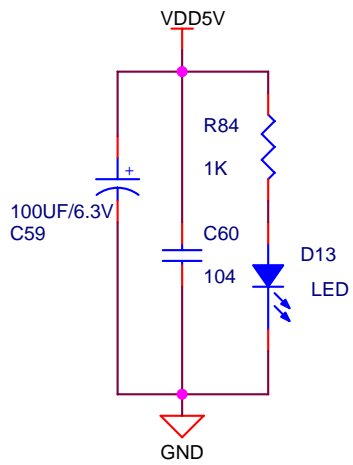
2,3,4,7,9,10,11,12 ADDR[0..23]

2,3,4,7,9,10,11,12 DATA[0..15]

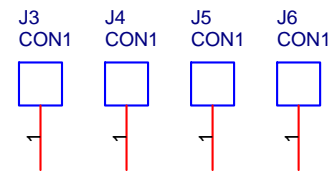
50PIN-SMT-2MM



| | | |
|-----------------------------|------------------------------------|-------------------|
| Title | | |
| Extend Port for USER | | |
| Size A | Document Number uCdragon | Rev 1.0 |
| Date: | Friday, September 02, 2005 | Sheet 13 of 14 |



板子四周的四个定位孔



| | | |
|--------------|----------------------------|-------------------|
| Title | | |
| POWER | | |
| Size A | Document Number | Rev 1.0 |
| Date: | Friday, September 02, 2005 | Sheet 14 of 14 |