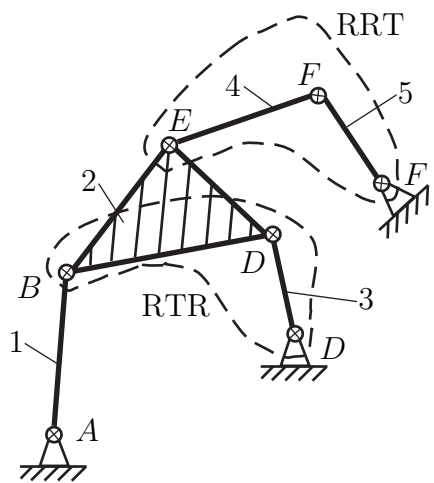
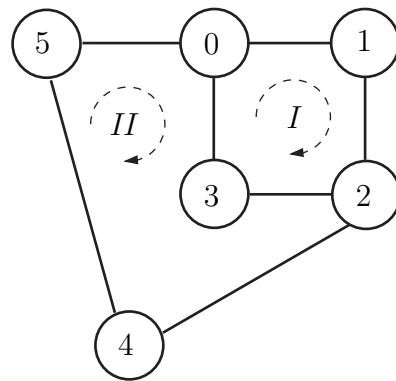


Figure P2.1

structural diagram



contour diagram



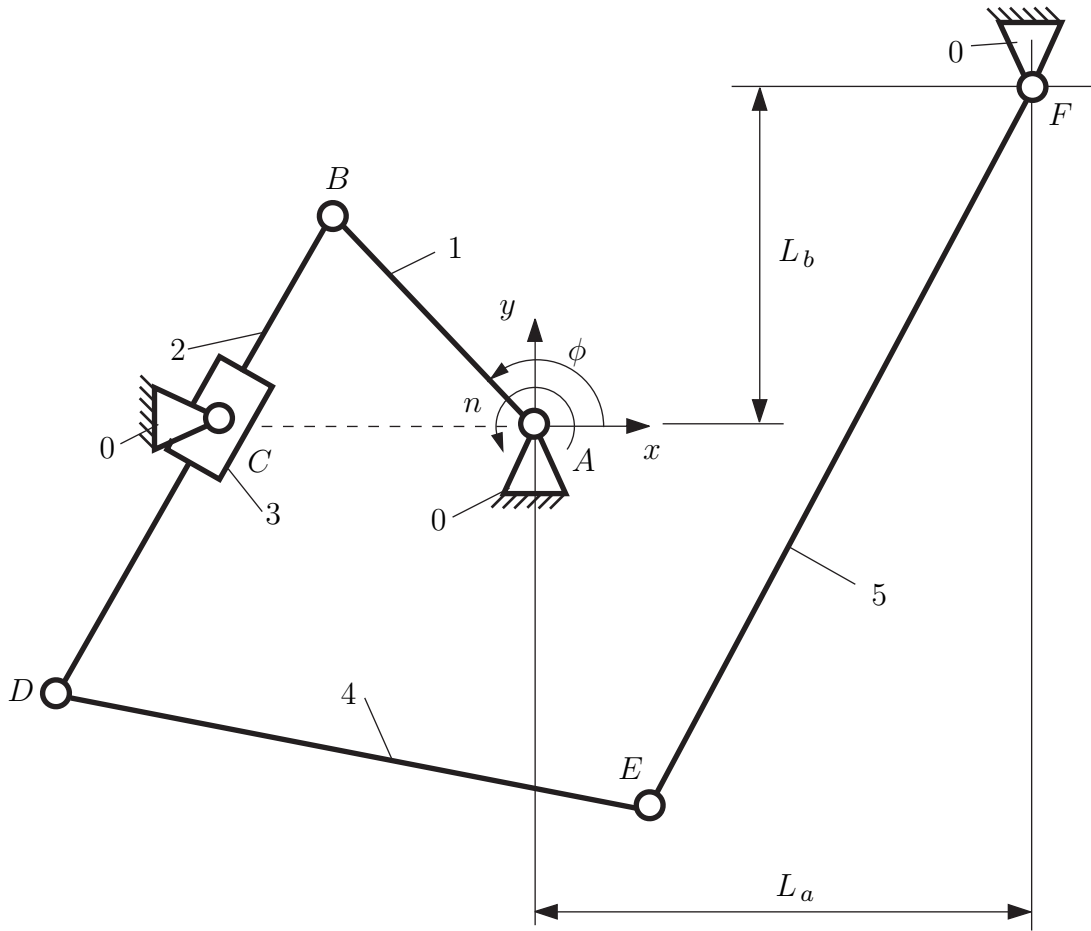
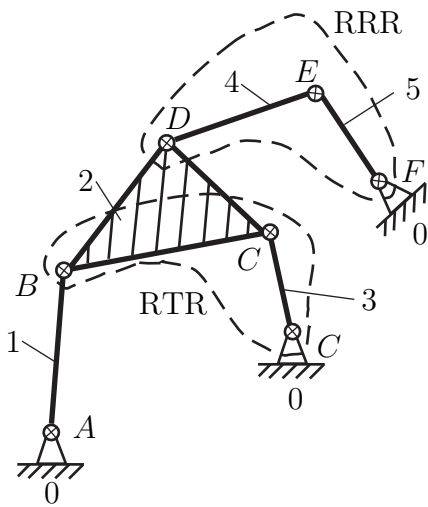
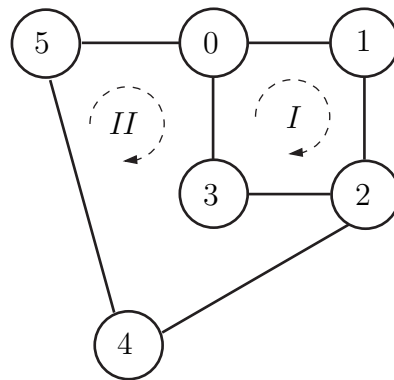


Figure P2.3

structural diagram



contour diagram



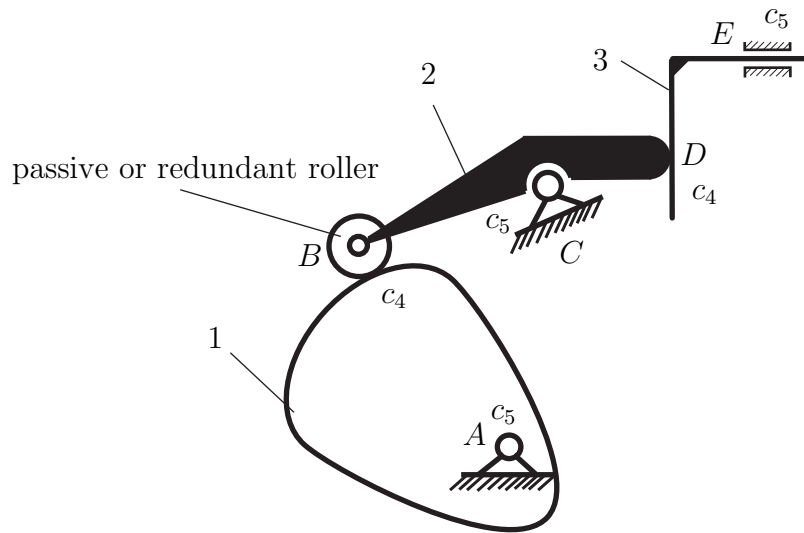


Figure P2.7

$$\begin{array}{l}
 n=3 \\
 c_5=3 \\
 c_4=2
 \end{array}
 \quad
 M = 3n - 2c_5 - c_4 = 1$$

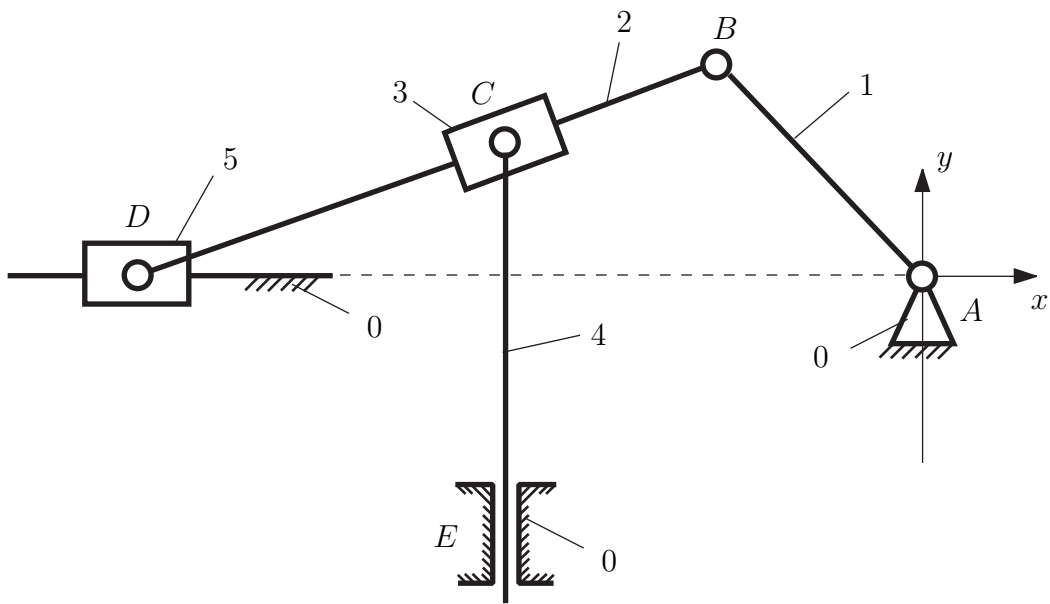


Figure P2.9

structural diagram

