

$\phi = \pi/6$
 $AB = 0.1 \text{ m}$
 $AC = 0.05 \text{ m}$
 $CD = 0.15 \text{ m}$
 $n = 50 \text{ rpm}$
 $g = 9.807 \text{ m/s}^2$

Figure 9.1

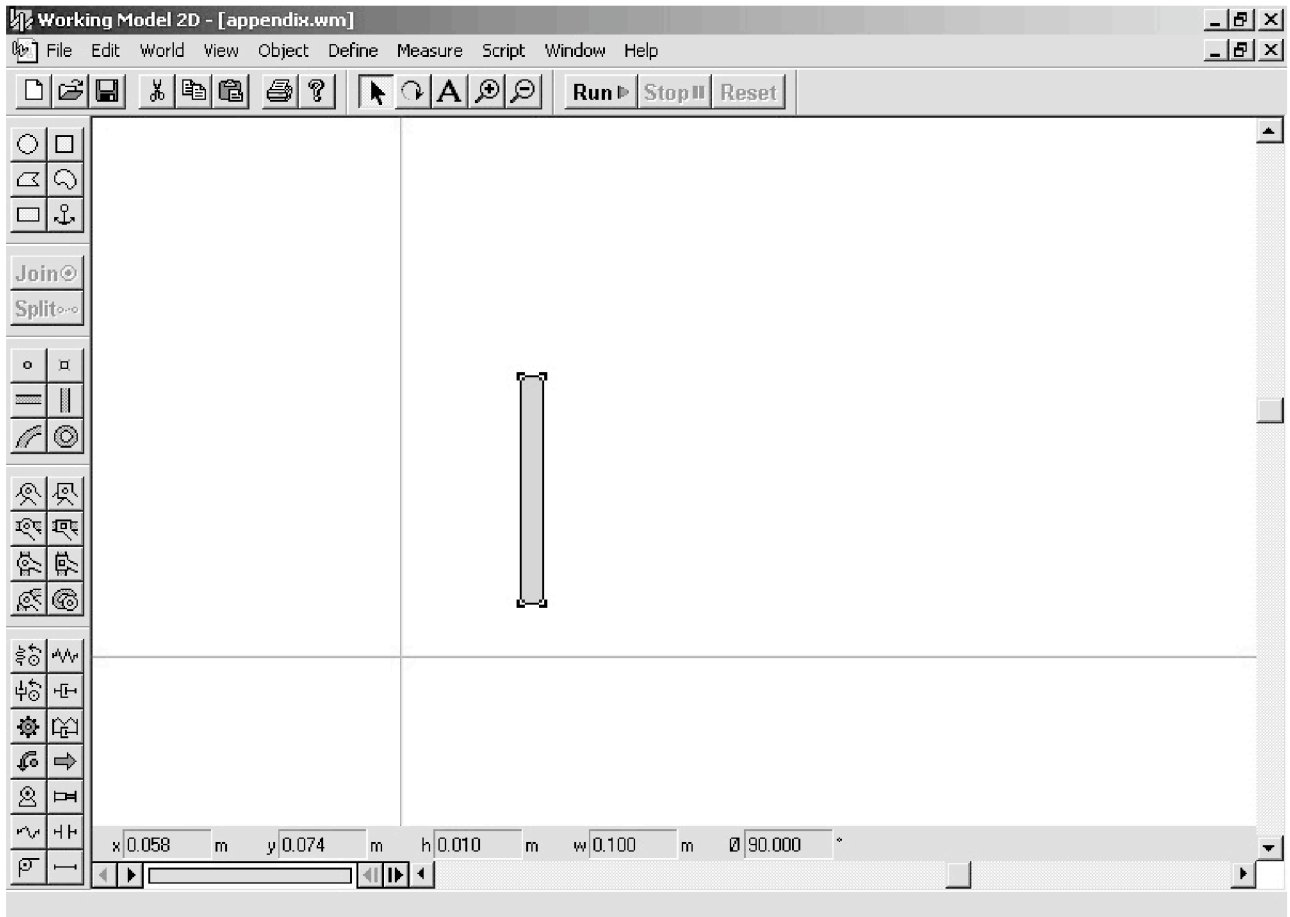


Figure 2

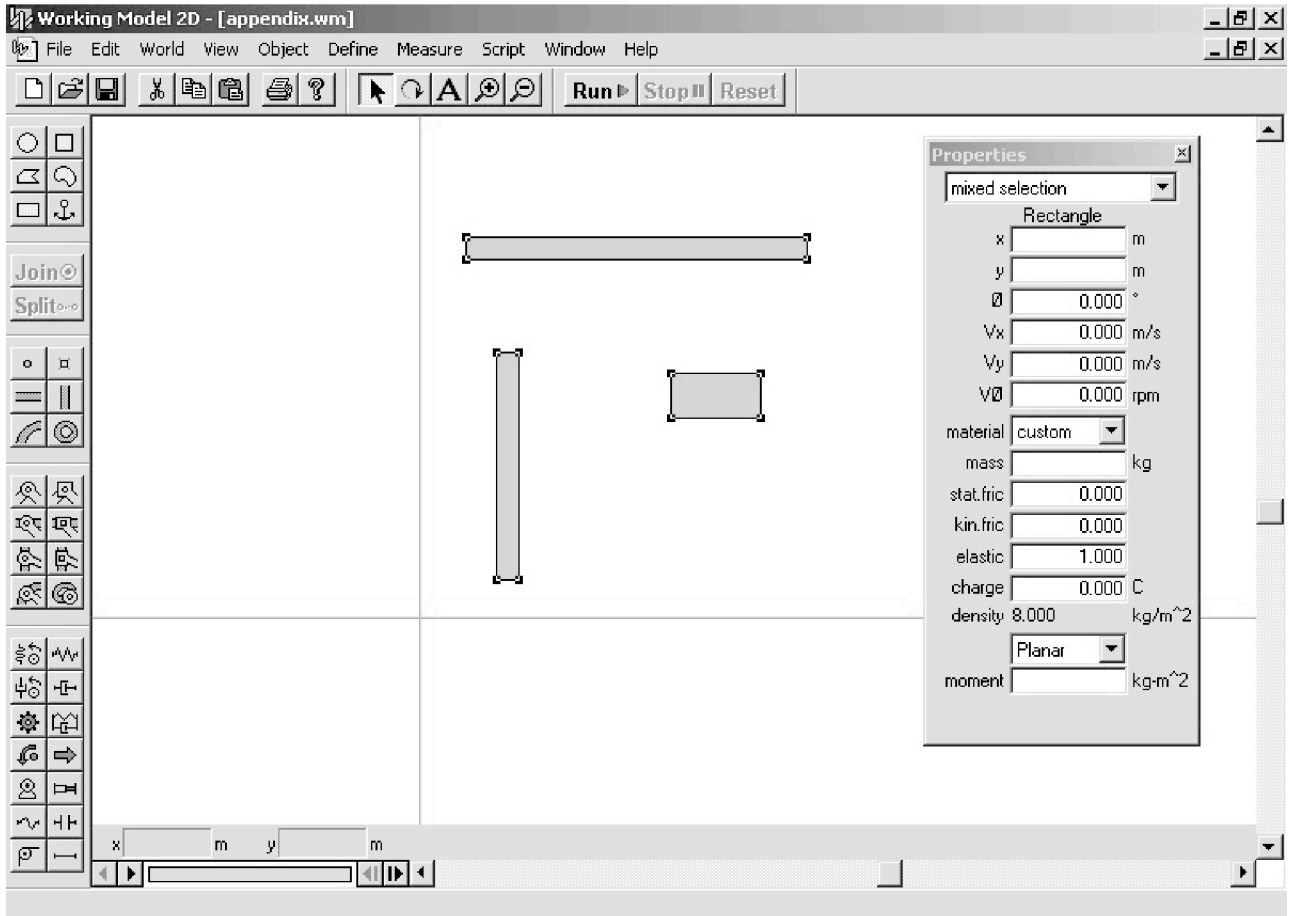


Figure 3

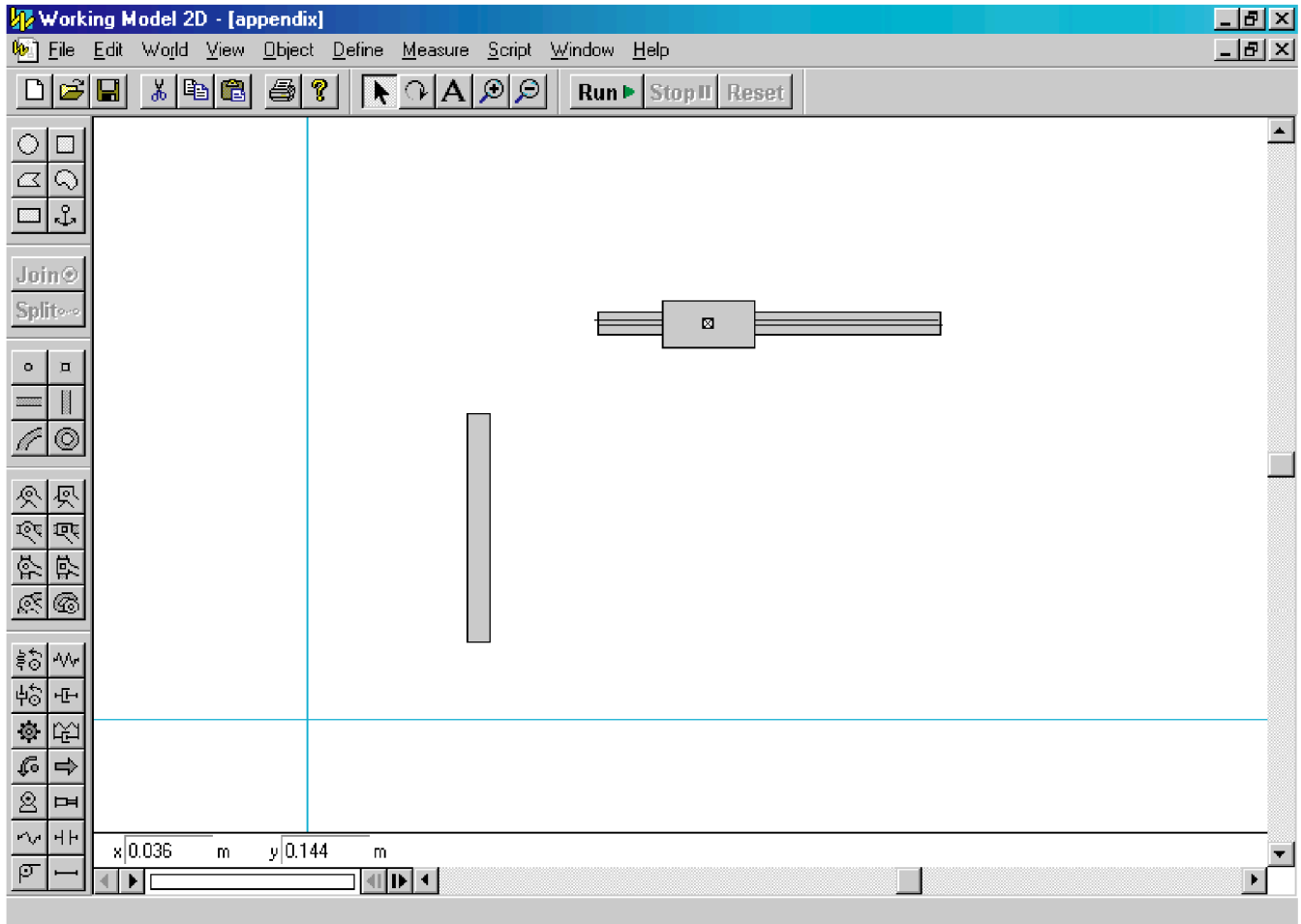


Figure 4

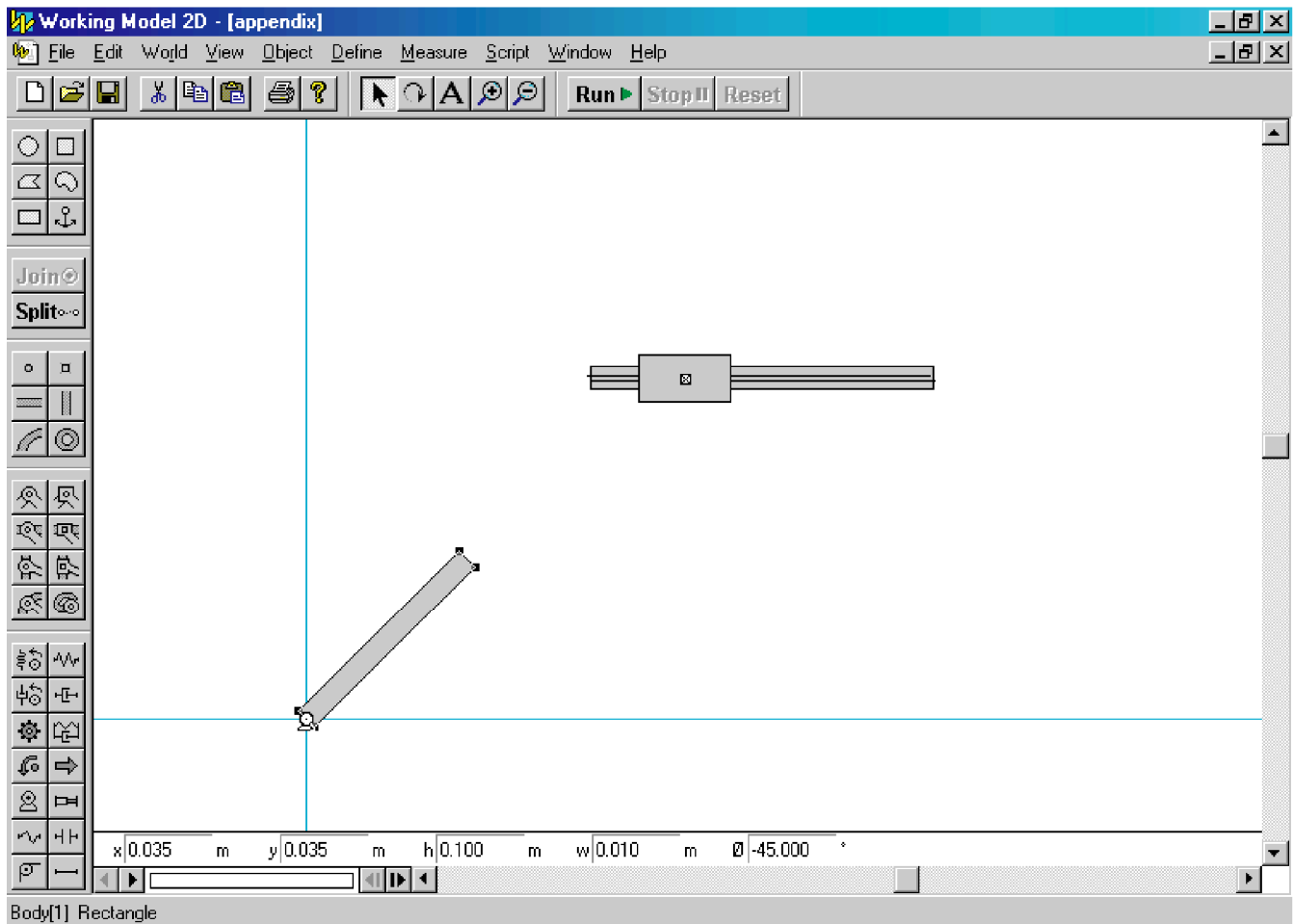


Figure 5

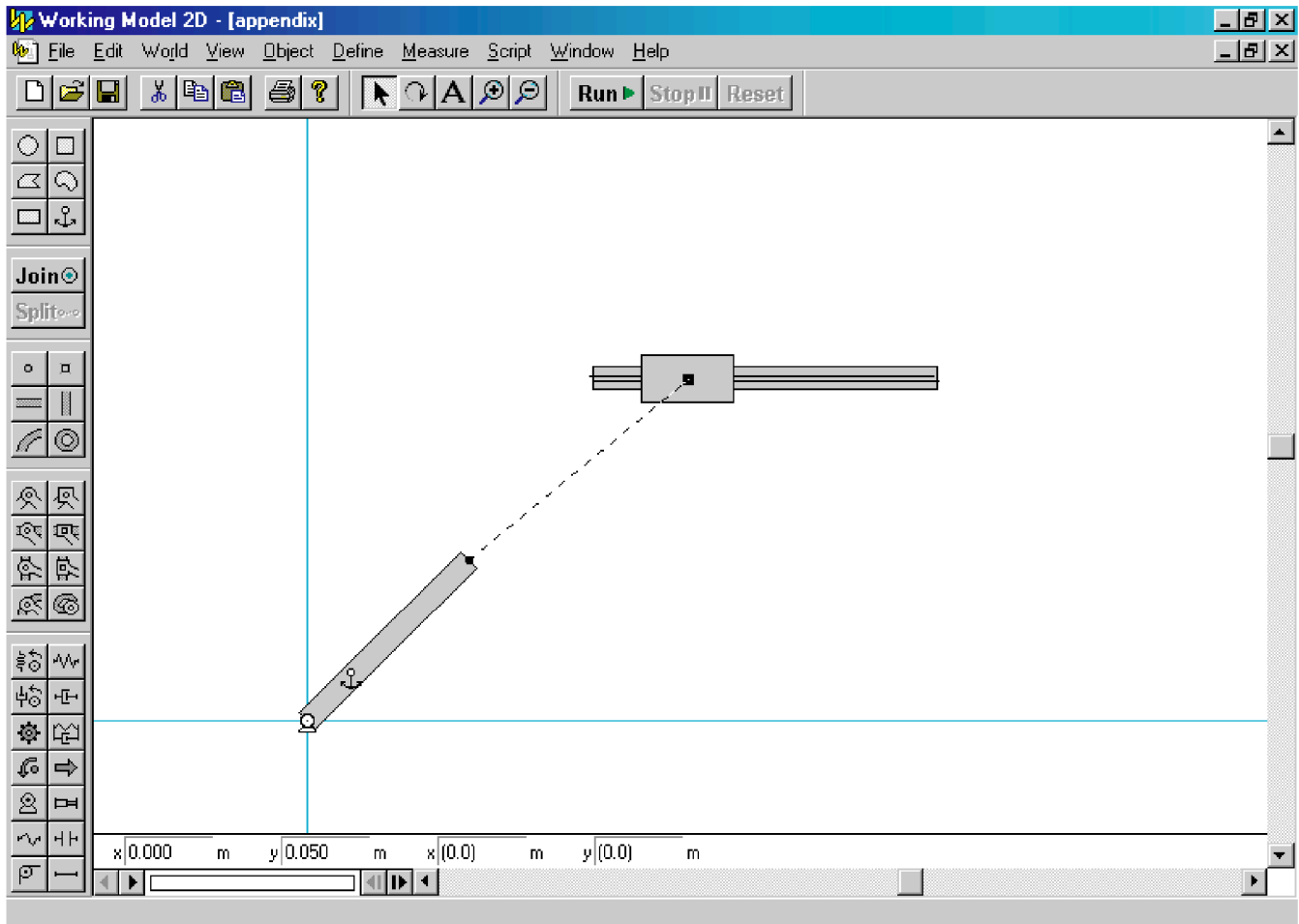


Figure 6

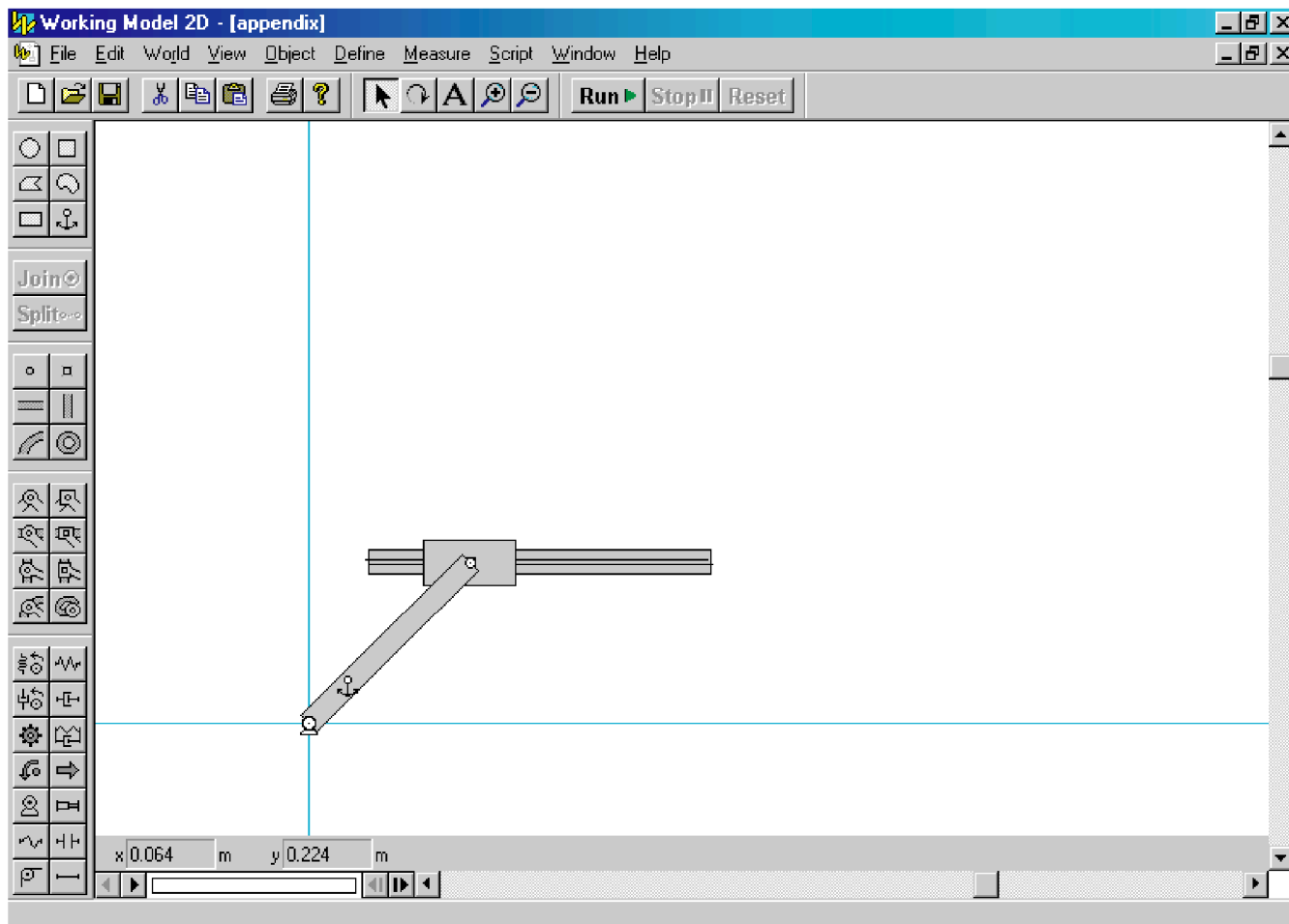


Figure 7

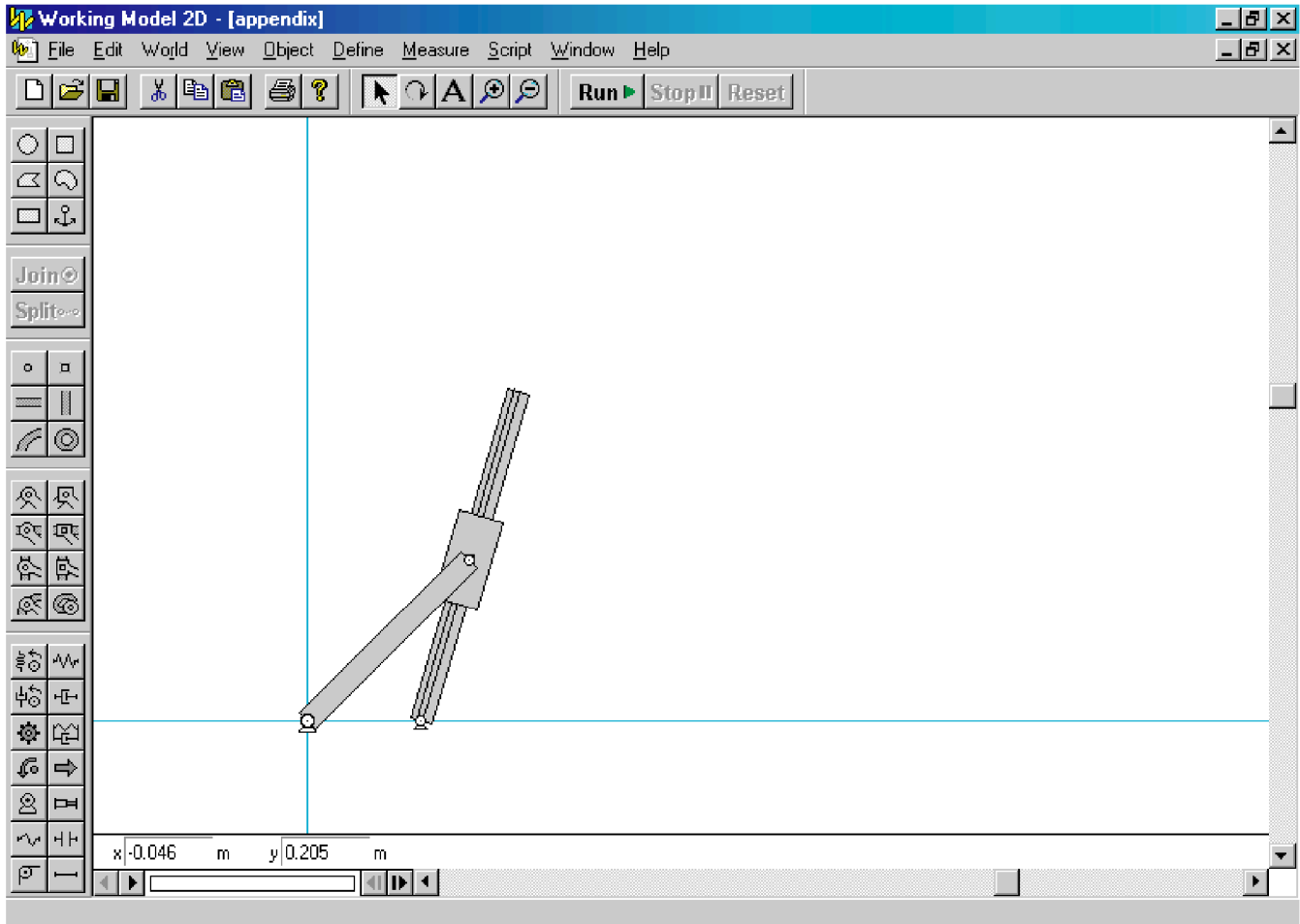


Figure 8

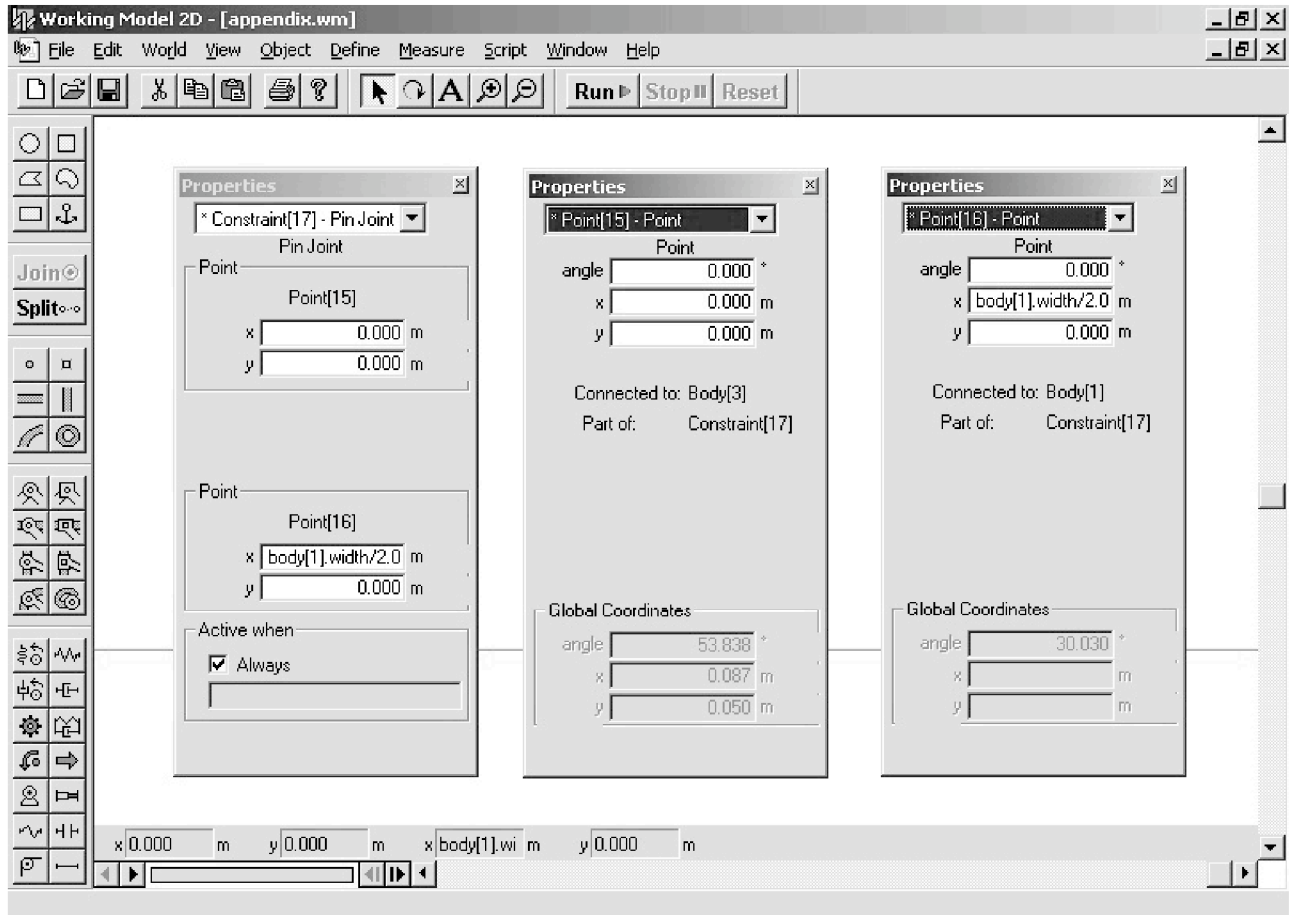


Figure 9

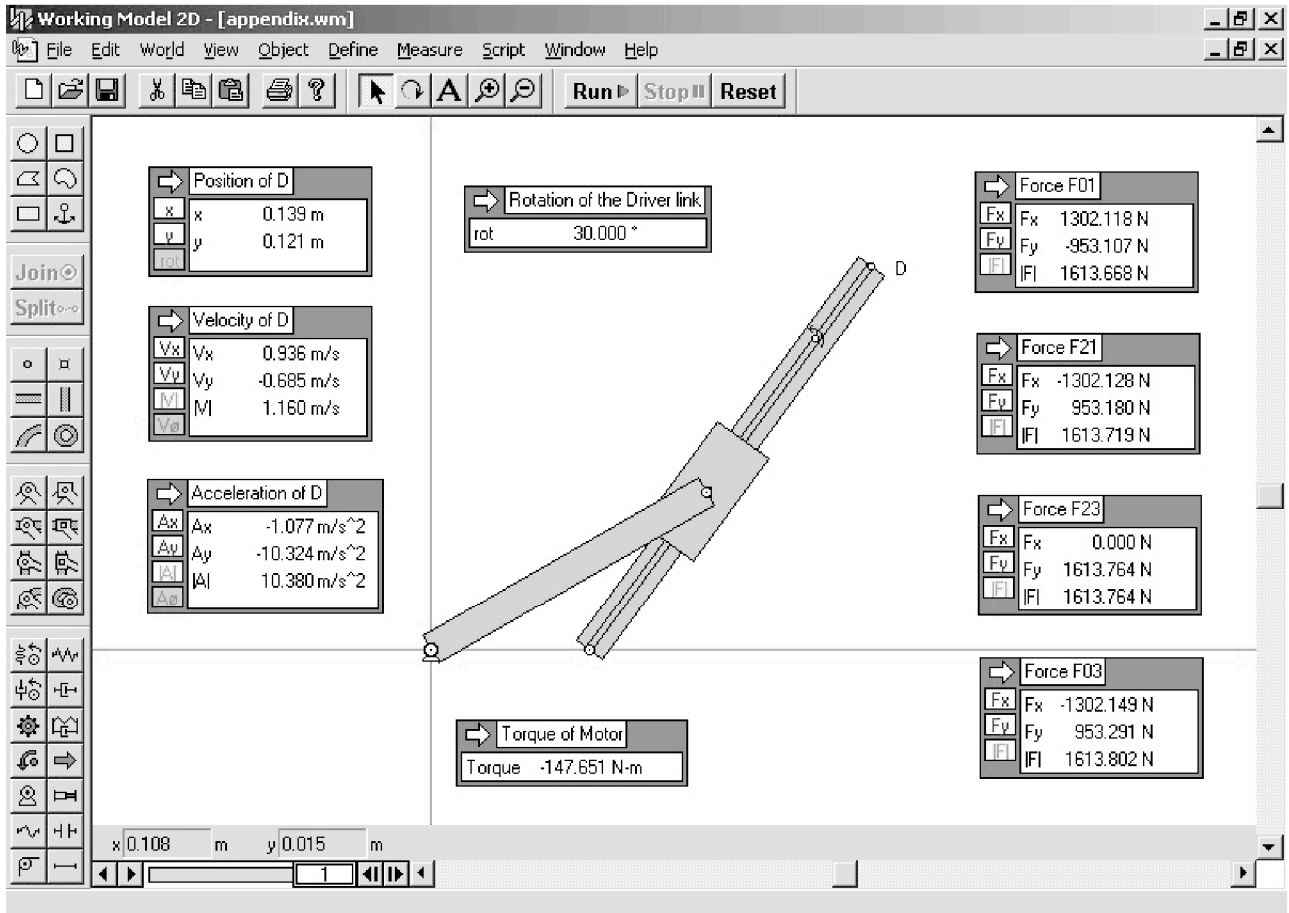


Figure 10