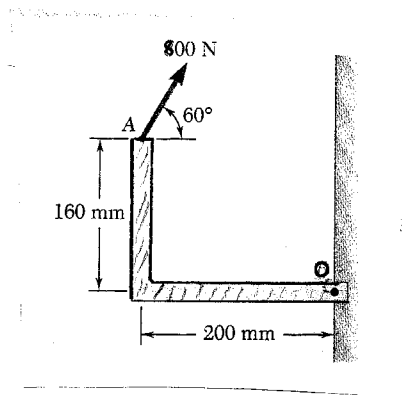


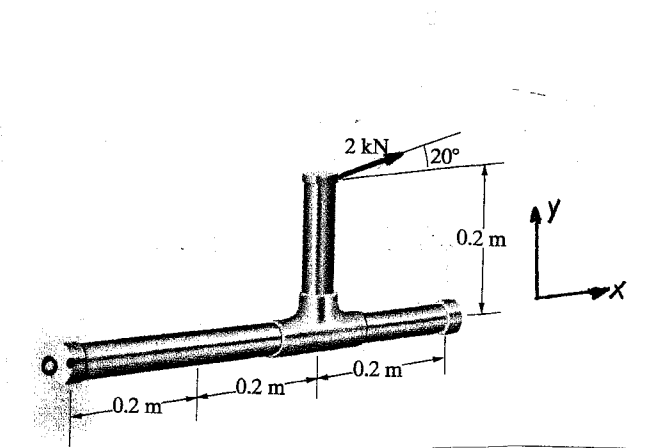
4A. Using the structure shown below

- Calculate the moment created about point O by the force shown using the scalar method. Write your answer as a Cartesian vector.
- Calculate the moment created about point O by the force shown using the vector method ($\mathbf{r} \times \mathbf{F}$).



4B. Using the structure shown below

- Calculate the moment created about point O by the force shown using the scalar method. Write your answer as a Cartesian vector.
- Calculate the moment created about point O by the force shown using the vector method ($\mathbf{r} \times \mathbf{F}$).



42. Using the structure shown below
- Calculate the moment created about point O by the 500 N force shown using the vector method ($\mathbf{r} \times \mathbf{F}$).

