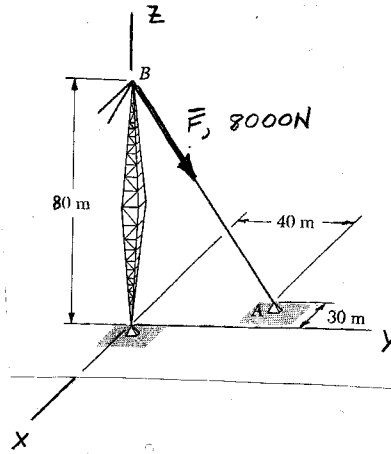
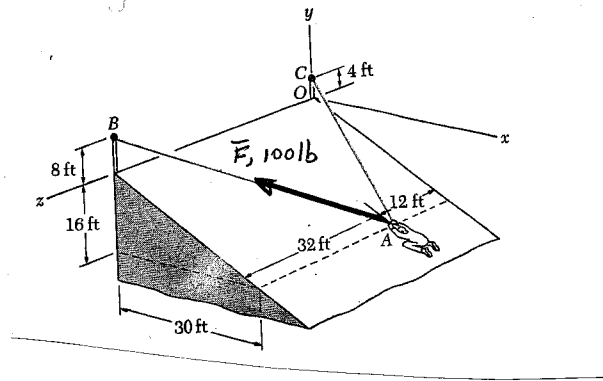


- 3A. Find the **i**, **j**, and **k** components for the force shown below using the coordinate system provided.



- 3B. Find the **i**, **j**, and **k** components for the force shown below using the coordinate system provided.



3C.

Find the **i**, **j**, and **k** components for the force shown below using the coordinate system provided.

