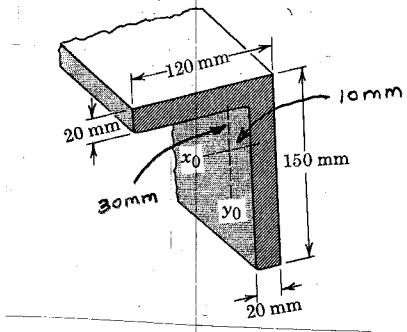
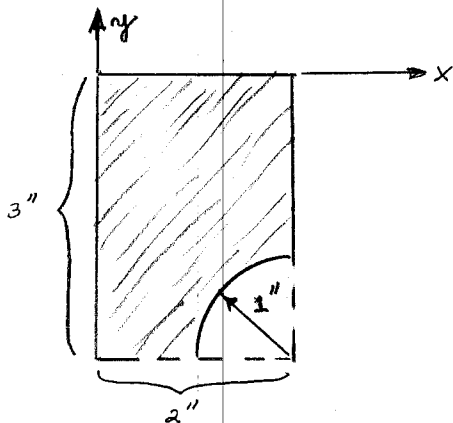


- 14A For the area shown below
- Find the moment of inertia about the x_0 axis.
 - Find the moment of inertia about the y_0 axis



- 14B For the area shown below
- Find the moment of inertia about the x axis
 - Find the moment of inertia about the y axis



- 14C For the area shown below
- Find the moment of inertia about the x axis
 - Find the moment of inertia about the y axis

