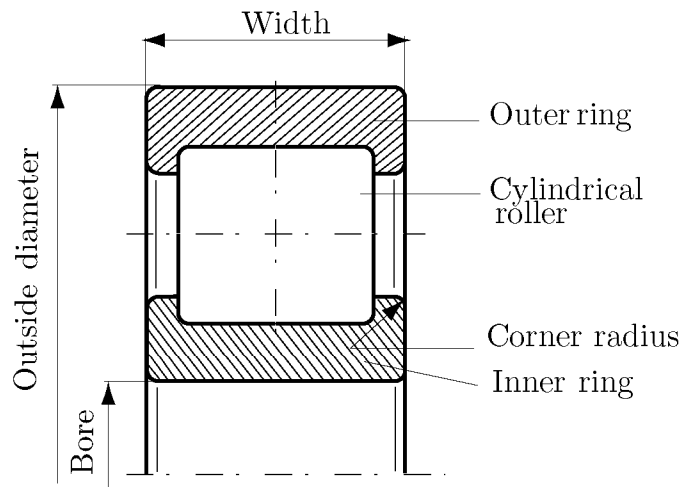


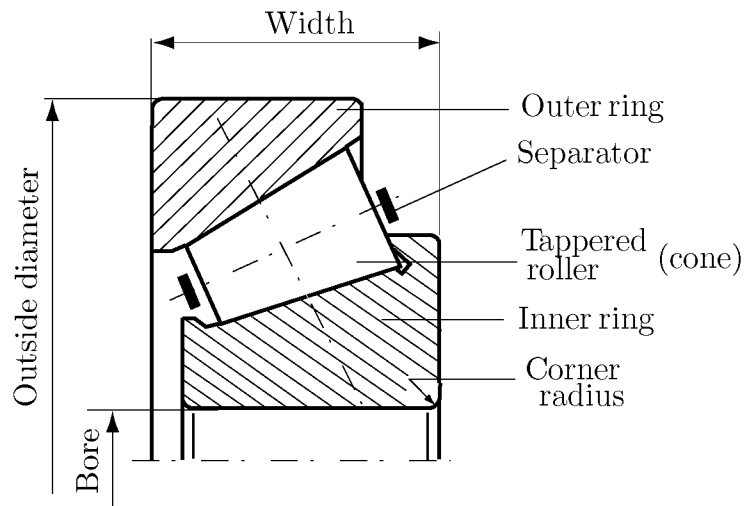
Ball bearing

(a)



Cylindrical roller bearing

(b)

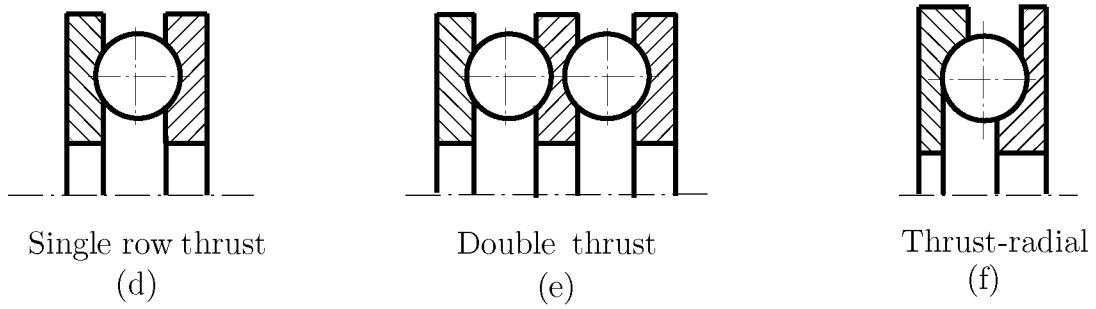
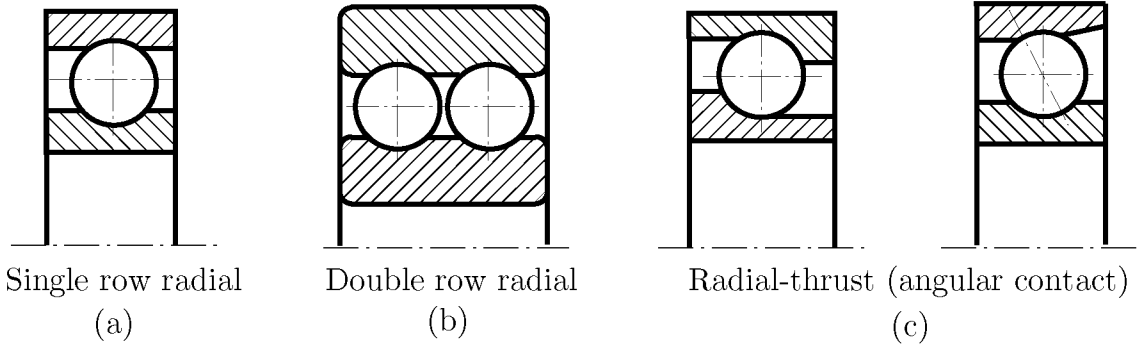


Tapered roller bearing

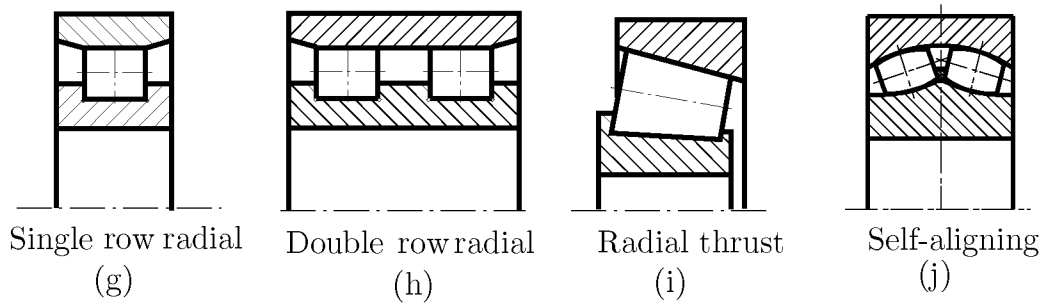
(c)

Figure 1

## BALL BEARINGS



## ROLLER BEARINGS



## NEEDLE BEARINGS

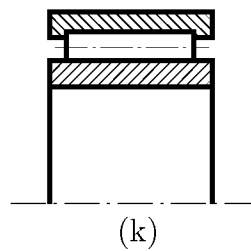


Figure 2

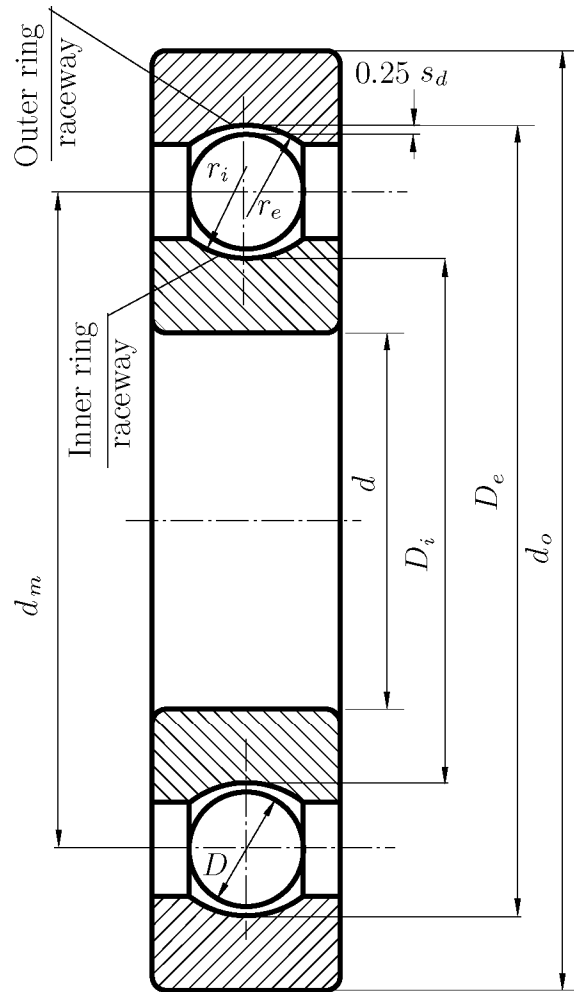


Figure 3

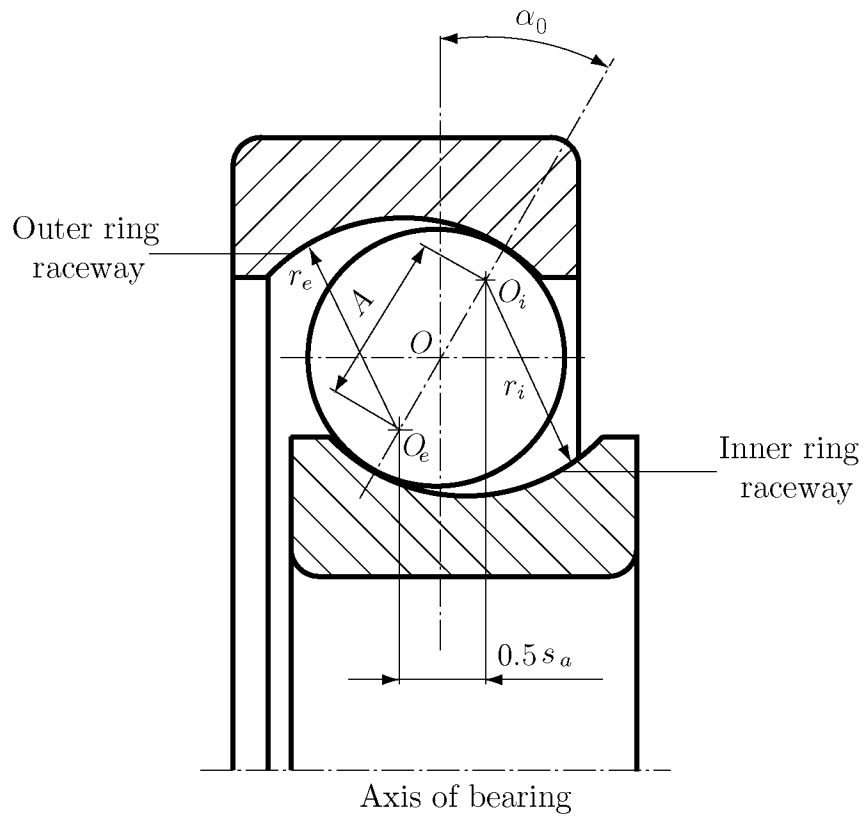
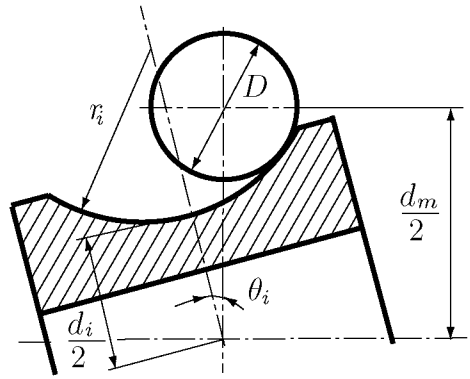
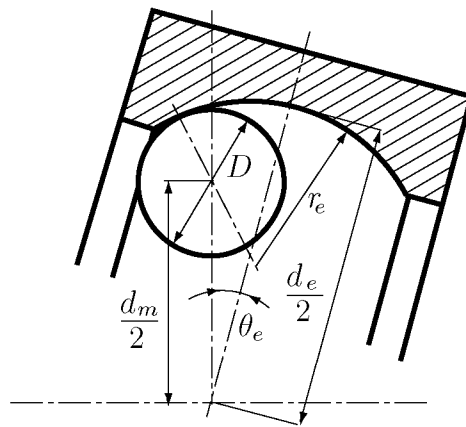


Figure 4

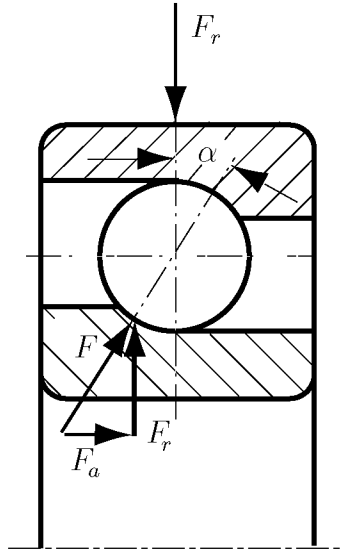


(a)

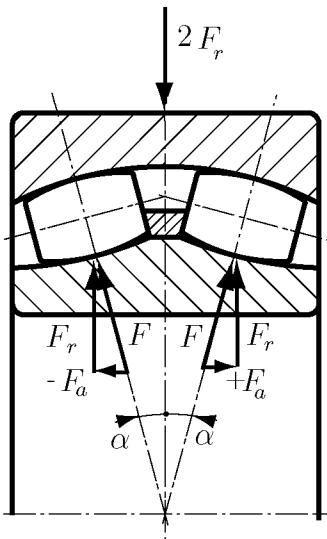


(b)

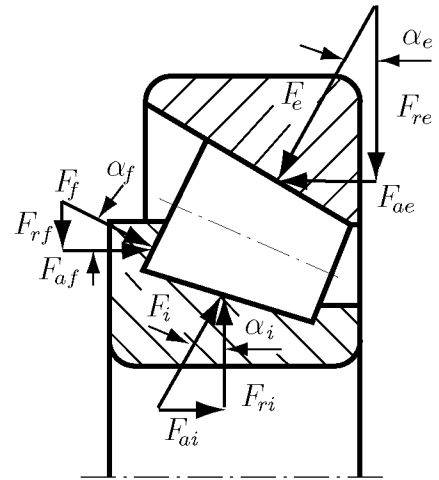
Figure 5



(a)



(b)



(c)

Figure 6

