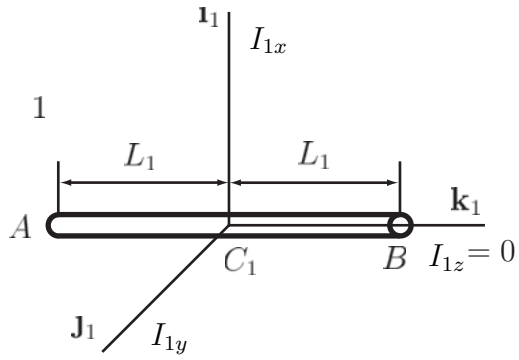
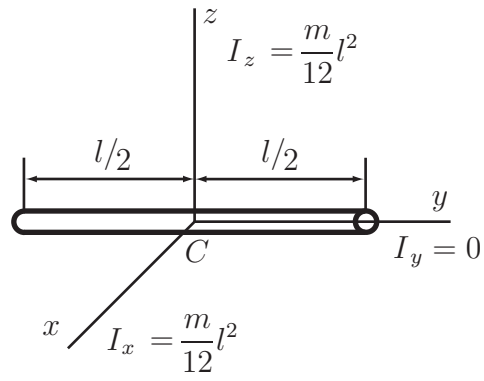
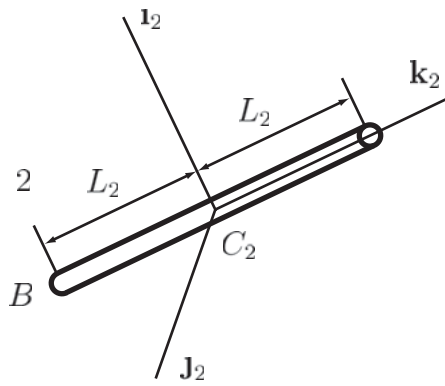


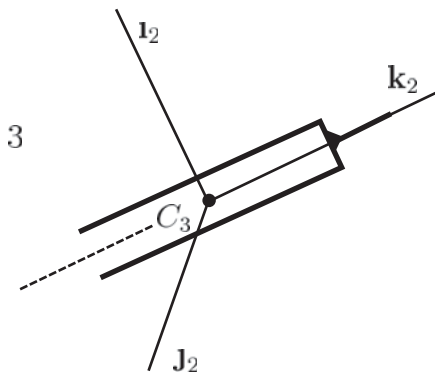
Figure 1



$$\bar{I}_1 \rightarrow \begin{bmatrix} I_{1x} & 0 & 0 \\ 0 & I_{1y} & 0 \\ 0 & 0 & I_{1z} \end{bmatrix} = \begin{bmatrix} \frac{m_1(2L_1)^2}{12} & 0 & 0 \\ 0 & \frac{m_1(2L_1)^2}{12} & 0 \\ 0 & 0 & 0 \end{bmatrix}$$



$$\bar{I}_2 \rightarrow \begin{bmatrix} I_{2x} & 0 & 0 \\ 0 & I_{2y} & 0 \\ 0 & 0 & I_{2z} \end{bmatrix} = \begin{bmatrix} \frac{m_2(2L_2)^2}{12} & 0 & 0 \\ 0 & \frac{m_2(2L_2)^2}{12} & 0 \\ 0 & 0 & 0 \end{bmatrix}$$



$$\bar{I}_3 \rightarrow \begin{bmatrix} I_{3x} & 0 & 0 \\ 0 & I_{3y} & 0 \\ 0 & 0 & I_{3z} \end{bmatrix}$$

Figure 2